

 **REAL-EL**

USER MANUAL



USB HUB

HQ-177

Congratulations on your purchase of the REAL-EL products!**COPYRIGHT**

© 2024. ENEL GROUP OU.

This Manual and information contained in are copyrighted. All rights reserved.

TRADEMARKS

All trademarks are the property of their legal holders.

APPLICATION

Designed for extension and multiplication of USB ports with possibility to use all of them at the same time. Can be used with all types of docking devices that can be connected via USB-A port.

PACKAGE CONTENTS

- USB Hub – 1 pc
- User Manual – 1 pc
- Warranty card – 1 pc

SAFETY PRECAUTIONS

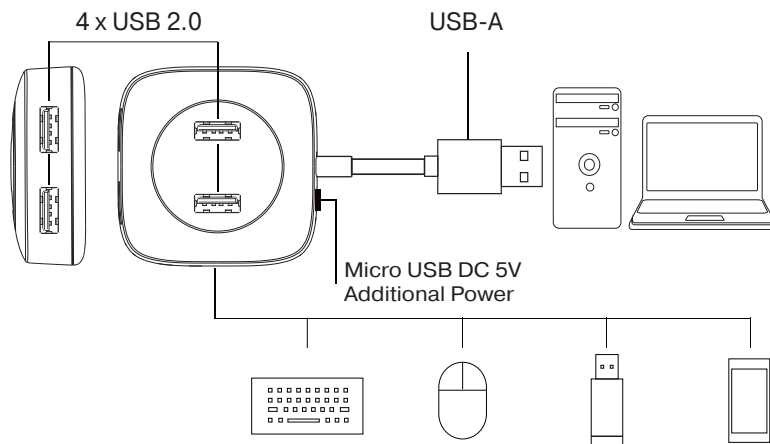
- Use only as intended.
- Do not use long time outdoors.

SPECIAL FEATURES

- Additional power supply
- Plug and Play. No drivers required
- Windows, Mac, Chrome, Linux supported
- Cable length 1.2m

CONNECTION AND OPERATION

- Plug-in the USB-A cable into the appropriate port of the device you want to connect to.
- Usage example is shown in the diagram and depends on the needs of the user and capabilities of the connected devices.
- The device is equipped with a micro USB connector for additional power. If necessary, connect with a cable to a power supply or a free USB port.



Connection diagram

SPECIFICATION

Input	USB-A, Micro USB
Output	4 × USB-A 2.0
Additional power	Micro USB DC 5V
Data transfer speed	up to 480 Mbps
Cable length	1.2 m
Product Size	60 x 60 x 22 mm
Weight	80 g
Compatibility	Windows, Mac, Chrome, Linux



Manufacturer: ENEL GROUP OU, Harju maakond, Rae vald, Jüri alevik, Aruküla tee 55a, 75301, Estonia.
© Registered Trademark of ENEL GROUP OU. Estonia.